

For use in veterinary medicine
and NDT environment

Order No. XD8700

CMOS dental detector with USB interface

The CMOS dental detector has been developed for veterinary and non destructive testing applications. The incorporated fibre optic plates (FOPs) in combination with a CsI scintillator ensure high imaging quality as well as long-term durability. The detector is equipped with a USB plug and is dust and water proof (equivalent to IP67).

- 20 lp/mm, 26 x 34 mm, 1300 x 1700 pixel resolution

Technology: CMOS

Pixel size: 20 x 20 μm

- Photo diode: placed outside the active area to monitor radiation
- Outer measurements outline: 34.4 mm x 41.9 mm
- Applications: General X-ray imaging and non-destructive testing
- Including **dicomPACS® DX-R** software driver

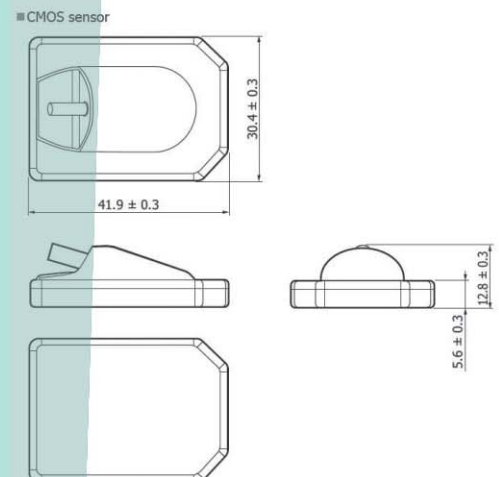
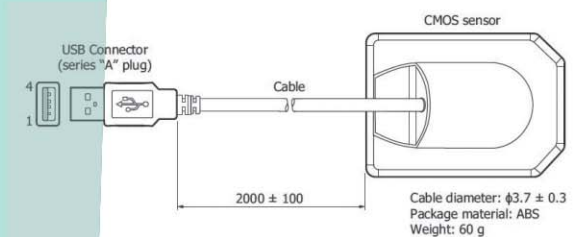
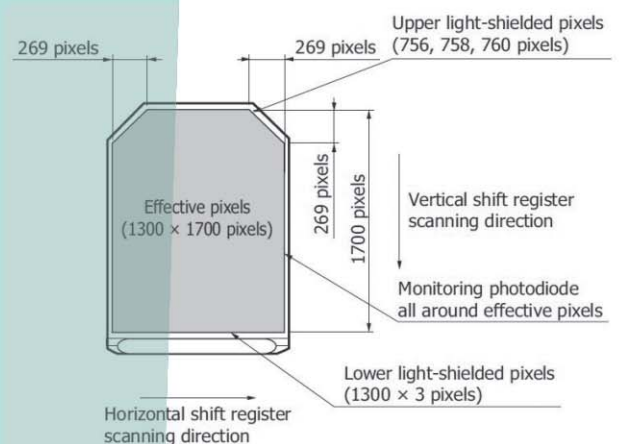
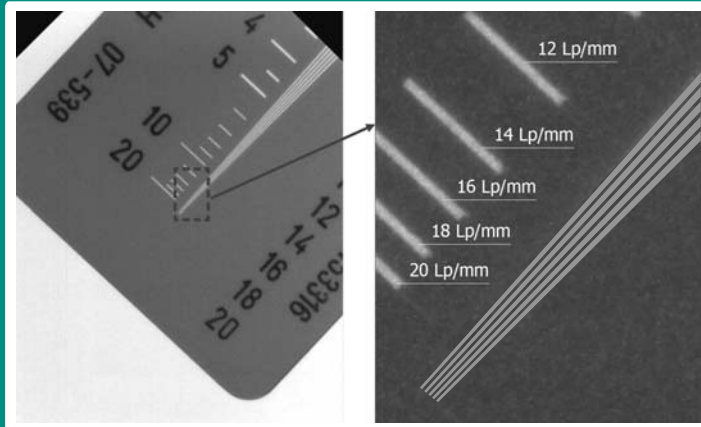


CMOS dental-detector with USB interface

Specification

Technology:	CMOS
Scintillator type:	CsI
Image size:	26 mm (H) x 34 mm (V)
Resolution:	2.1 megapixels (1300 H x 1700 V)
Pixel size:	20 x 20 μm
High resolution:	20 lp/mm
Photodiode:	placed outside the active area to monitor X-ray irradiation
Robust:	Waterproof equivalent IP67
Operation temperature:	0 to +35 °C
Interface:	USB 2.0
Measurements outline:	30.4 mm x 41.9 mm
Applications:	General X-ray imaging and non-destructive testing
Warranty:	12 months
Software driver:	dicomPACS®DX-R

Resolution:



Please visit www.or-technology.com
for more details

Specifications subject to revision without notice

The editor strives to impart correct and up to date information. The provided specifications are based on current knowledge and are subject to revision without notice. This brochure is subject to correction. The editor assumes no responsibility for the information being up to date, correct and complete. All furnished logos, pictures and graphics are property of the particular company and subject to copyright of the licensor. Use, dissemination, distribution or copying of the pictures, logos or text compiled or processed by the editor is subject to our written consent. All rights reserved.